



X6

Controller

Specification V1.3

Overview

X6 is a professional control system and video processing equipment specially designed for LED engineering applications. It equips various video signal interfaces, supports high-definition digital ports (SDI, HDMI, DVI), and seamless switching between signals can be achieved. It supports broadcast quality scaling and multi-pictures display.

X6 adopts 6 Gigabit Ethernet outputs, and it supports LED display of 8192 pixels in maximum width or 4096 pixels in maximum height. Also, X6 equips a series of versatile functions which provide flexible screen control and high-quality image display, it has significant advantages in LED engineering applications.

Features

- Support various digital signal ports, including 1×SDI, 1×HDMI, 2×DVI
- Loading capacity: 3.9 million pixels, Maximum width: 8192 pixels, maximum height: 4096 pixels
- Support input resolution up to 1920×1200@60Hz
- Support arbitrary switching and scaling of video source
- Support three-picture display, the location and size can be adjusted freely
- Separate audio input
- Support RS232 protocol
- Support HDCP
- Support brightness and color temperature adjustment
- Support improved gray-scale at low brightness

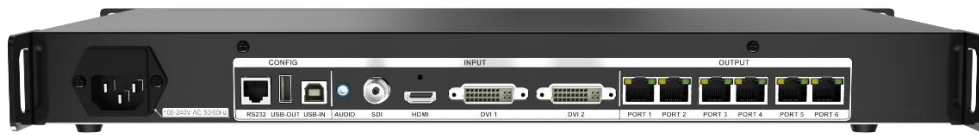
Appearance

Front Panel



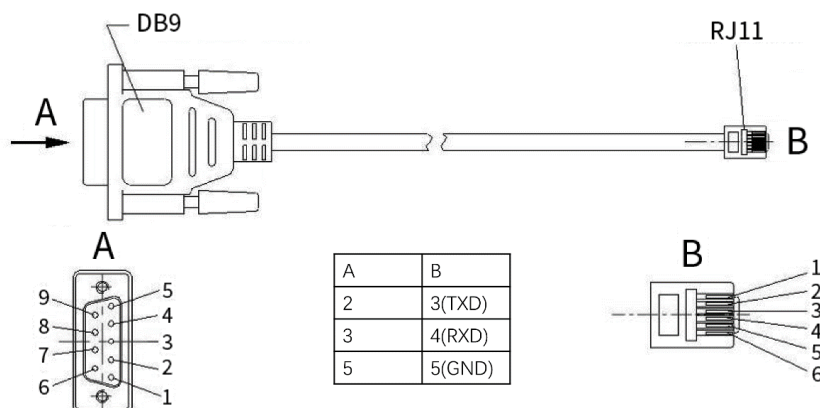
No.	Name	Function
1	CD	Display operation menu and system information
2	Knob	Turning knob to select or adjust
3	Function Keys	OK: Enter key ESC: Escape current operation or selection Bright: Brightness option Part: Screen clipping Mode: Output mode selection of images
4	Selection Keys	DVI 1/DVI 2/HDMI/SDI: Video source selection
5	Power Switch	Power switching

The Back Panel



Input Interface		
1	DVI	2×DVI inputs VESA Standard (support 1920 × 1200@60Hz), supports HDCP
2	HDMI	HDMI input EIA/CEA-861 Standard, supports 1920 × 1200@60Hz, supports HDCP
3	SDI	SDI input, compatible with 3G-SDI, HD-SDI, SD-SDI
4	AUDIO	Audio input, use with multi-function card (optional)
Output Interface		
1	Port1-6	RJ45, 6 Gigabit ethernet outputs
Controlling Interface		
1	USB IN	USB input, connect with PC to configure parameters
2	USB OUT	USB output, cascading with the next controller
5	RS232	RJ11 interface, connected with central control
Power		
1	AC 100~240V	AC power Interface

*RJ11 and DB9 Conversion

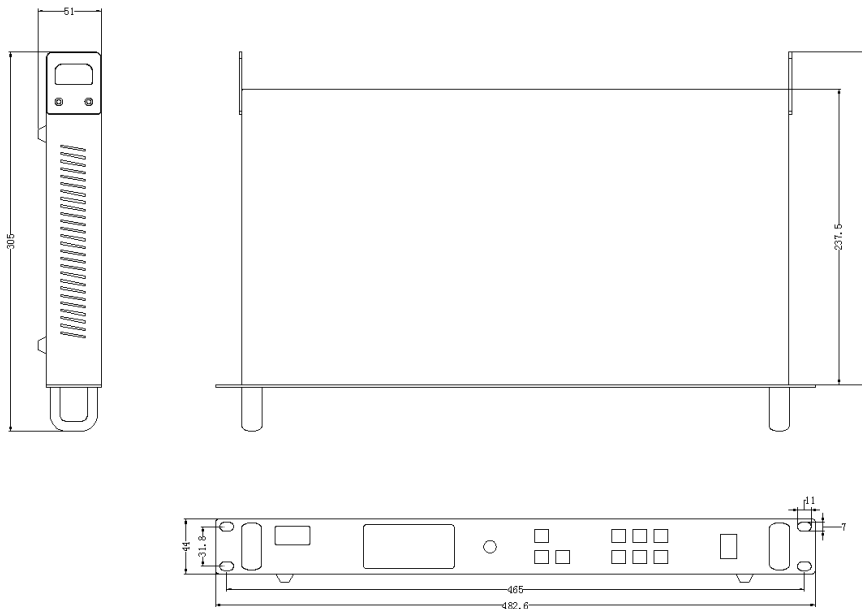


Specifications

Model		X6
Size		1U
Electrical Specifications	Input Voltage	AC100~240V,50/60Hz
	Power	20W
Operating Environment	Temperature	-20°C~70°C/-4°F~158°F
	Humidity	0%RH~80%RH, non-condensing
Storage Environment	Temperature	-30°C~80°C/-22°F~176°F
	Humidity	0%RH~90%RH, non-condensing
Device Specifications	Dimensions	W×H×L/482.6×44.0×305mm ³ /19"×1.7"×12"
	Net Weight	2.3kg/5.07lbs
Packing Specifications	Dimensions	W×H×L/545×105×390mm ³ /21.5"×4.1"×15.4"
	Net Weight	0.7kg/1.54lbs

Dimension

Unit: mm



Statement

Thank you for purchasing the product of Colorlight Cloud Tech Ltd. If you encounter any problems during use or have any suggestions, please contact us through official channels. We will do our best to provide support and listen to your valuable suggestions. We will constantly make improvements on technical specifications but without notice. You can visit www.colorlightinside.com to get more updated information.